

Coordinators

Prof. Axel Haverich

Dept. Cardiac, Thoracic, Transplantation and Vascular Surgery
Hannover Medical School
Hannover, Germany

Prof. Ari Harjula

Dept. Cardiothoracic Surgery
University of Helsinki, Faculty of Medicine
Helsinki, Finland

Prof. Yoshiki Sawa

Dept. Cardiovascular Surgery
Osaka University Graduate School of Medicine, Osaka, Japan

Support Organizations

Rebirth program of DFG
(Deutsche Forschungsgemeinschaft)



Bilateral program of AF
(Academy of Finland)



Core-to-Core program of JSPS
(Japanese Society for Promotion of Science)



Geneva Palexpo

1218 Le Grand-Saconnex, Geneva, Switzerland

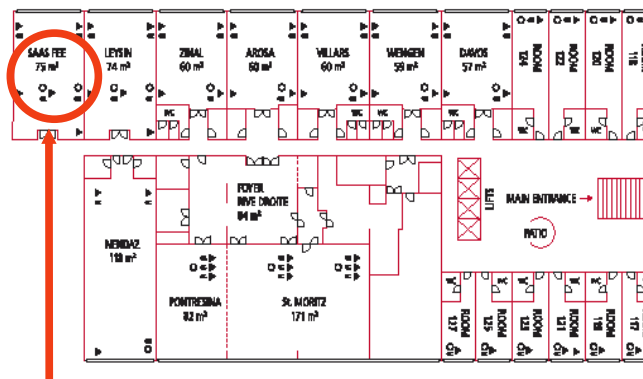


International consortium
for cardiac tissue engineering



Progress Meeting at EACTS
in Geneva 2010

Crowne Plaza Hotel, First Floor



Sunday, 12th September 2010
9:00–12:40

Crowne Plaza Hotel Geneva
Saas Fee Room
(First Floor)

5 minutes walk from Geneva Palexpo

Saas Fee Room



Greetings

Dear Colleagues,

I cordially invite you to the progress meeting of our international consortium which will take place on 12th September, 2010 in Geneva.

Following to the kick-off meeting in Vienna, at this meeting, I would like to exchange recent results of our research works on cardiovascular tissue engineering, and make fruitful discussion for the further development of new technologies and methods that open the doors for completely new possibilities of patient-specific treatment.

I hope this meeting makes great progresses for developing our international research consortium for myocardial regeneration and cardiac tissue engineering.

I am looking forward to seeing you in Geneva.

Yoshiki Sawa. MD. PhD.
Professor and Chairman
Department of Cardiovascular Surgery
Osaka University Graduate School of
Medicine



Program

Opening Remarks (09:00-09:10)
Prof. Axel Haverich (Hannover)
Prof. Ari Harjula (Helsinki)

Part 1: (09:10-10:25)
Cell Sources for Myocardial TE

09:10-09:35
Dr. Kenji Miki (Osaka)

09:35-10:00
Dr. Robert Zweigerdt (Hannover)

10:00-10:25
Dr. Esko Kankuri (Helsinki)

Short Break (10:25 - 10:45)

Part 2: (10:45-12:00)
Matrix development and its application

10:45-11:10
Dr. Yasuhiro Shuto (Osaka)

11:10-11:35
Dr. Andres Hilfiker (Hannover)

11:35-12:00
Dr. Hisazumi Uenaka (Helsinki)

12:00-12:25
Dr. Shigeru Miyagawa (Osaka)

Fund raising-future grants (12:25-12:35)
Dr. Masamichi Ono (Hannover)

Closing remarks (12:35-12:40)
Prof. Yoshiki Sawa (Osaka)

Core institution address

Dept. of Cardiovascular Surgery
Osaka University Graduate School of Medicine
Yamada-Oka 2-2, Suita, 565-0871 Osaka, Japan
Telephon: 81-6-6879-3154
Miss Atsuko Shimai

Dept. of Cardiothoracic, Transplantation and
Vascular Surgery
Hannover Medical School
Carl-Neuberg Str.1, 30625 Hannover, Germany
Telephon: 49-511-532-9397
Masamichi Ono. MD.
E-Mail: ono.masamichi@mh-hannover.de

Dept. of Cardiothoracic Surgery
University of Helsinki, Meilahti Hospital
Haartmaninkatu 4, 00029, Helsinki, Finland
Telephon: 358-9-4717-2305
Mrs. Kaisu-Maarit Pelkonen

*Please refer to the following web site

<http://jsps-osaka-u.jpj.org/>

